



**SPECIFICATION  
FOR  
LCD Module  
RX-HE070NA-13B-40-35250TP**

<b>MODULE:</b>	RX-HE070NA-13B-40-35250
<b>CUSTOMER:</b>	

<b>REV</b>	<b>DESCRIPTION</b>	<b>DATE</b>
<b>1</b>	<b>FIRST ISSUE</b>	<b>2014.04.02</b>

<b>TZD</b>	<b>INITIAL</b>	<b>DATE</b>
<b>APREPARED BY</b>		
<b>CHECKED BY</b>		
<b>APPROVED BY</b>		

<b>CUSTOMER</b>	<b>INITIAL</b>	<b>DATE</b>
<b>APPROVED BY</b>		



## Revision History

Date	Rev. No.	Page	Summary
2014.04.02	1.0		FIRST ISSUE



## Contents

<b>1. General Specifications .....</b>	<b>1</b>
<b>2. Pin Assignment.....</b>	<b>2</b>
<b>3. Operation Specifications .....</b>	
3.1. Absolute Maximum Ratings .....	5
3.1.1. Typical Operation Conditions.....	6
3.1.2. Current Consumption.....	7
3.2. Power Sequence.....	8
3.3. Timing Characteristics .....	9
3.3.1. AC Electrical Characteristics.....	9
3.3.2. Input Clock and Data Timing Diagram .....	9
3.3.3. DC Electrical Characteristics.....	10
3.3.4. Timing.....	11
3.3.5. Data Input Format.....	12
<b>4. Optical Specifications .....</b>	<b>13</b>
<b>5. Reliability Test Items .....</b>	<b>16</b>
<b>6. General Precautions.....</b>	<b>17</b>
6.1. Safety.....	17
6.2. Handling .....	17
6.3. Static Electricity.....	17
6.4. Storage .....	17
6.5. Cleaning.....	17
<b>7. Mechanical Drawing .....</b>	<b>18</b>
<b>8. Package Drawing.....</b>	<b>19</b>
8.1. Packaging Material Table .....	19
8.2. Packaging Quantity.....	19
8.3. Packaging Drawing.....	20



## 1. General Specifications

No.	Item	Specification	Remark
1	LCD size	7.0 inch(Diagonal)	
2	Driver element	a-Si TFT active matrix	
3	Resolution	1024 × 3(RGB) × 600	
4	Display mode	Normally White, Transmissive	
5	Dot pitch	0.05(W) × 0.15(H) mm	
6	Active area	153.6(W) × 90.0(H) mm	
7	Panel size	160(W) × 101.1(H) × 1.23(D) mm	Note 1
8	Surface treatment	Glare	
9	Color arrangement	RGB-stripe	
10	Interface	Digital	
11	View direction(Gray Inversion)	6 O'Clock	
12	Panel power consumption	TBD	
13	Weight	TBD(Typ.)	

Note 1: Refer to Mechanical Drawing.



## 2. Pin Assignment

FPC Connector is used for the module electronics interface. The recommended model is FH12A-40S-0.5SH manufactured by Hirose.

Pin No.	Symbol	I/O	Function	Remark
1	VCOM	P	Common Voltage	
2	VDD	P	Power Voltage for digital circuit	
3	VDD	P	Power Voltage for digital circuit	
4	NC	---	No connection	
5	Reset	I	Global reset pin	
6	STBYB	I	Standby mode, Normally pulled high STBYB = "1", normal operation STBYB = "0", timing controller, source driver will turn off, all output are High-Z	
7	GND	P	Ground	
8	RXIN0-	I	- LVDS differential data input	
9	RXIN0+	I	+ LVDS differential data input	
10	GND	P	Ground	
11	RXIN1-	I	- LVDS differential data input	
12	RXIN1+	I	+ LVDS differential data input	
13	GND	P	Ground	
14	RXIN2-	I	- LVDS differential data input	
15	RXIN2+	I	+ LVDS differential data input	
16	GND	P	Ground	
17	RXCLKIN-	I	- LVDS differential clock input	
18	RXCLKIN+	I	+ LVDS differential clock input	
19	GND	P	Ground	
20	RXIN3-	I	- LVDS differential data input	
21	RXIN3+	I	+ LVDS differential data input	
22	GND	P	Ground	
23	NC	---	No connection	
24	NC	---	No connection	
25	GND	P	Ground	
26	NC	---	No connection	



27	DIMO	O	Backlight CABC controller signal output	
28	SELB	I	6bit/8bit mode select	Note1
29	AVDD	P	Power for Analog Circuit	
30	GND	P	Ground	
31	LED-	P	LED Cathode	
32	LED-	P	LED Cathode	
33	L/R	I	Horizontal inversion	Note3
34	U/D	I	Vertical inversion	Note3
35	VGL	P	Gate OFF Voltage	
36	CABCEN1	I	CABC H/W enable	Note2
37	CABCEN0	I	CABC H/W enable	Note2
38	VGH	P	Gate ON Voltage	
39	LED+	P	LED Anode	
40	LED+	P	LED Anode	

I: input, O: output, P: Power

Note1: If LVDS input data is 6 bits ,SELB must be set to High;

If LVDS input data is 8 bits ,SELB must be set to Low.

Note2: When CABC\_EN="00", CABC OFF.

When CABC\_EN="01", user interface image.

When CABC\_EN="10", still picture.

When CABC\_EN="11", moving image.

When CABC off, don't connect DIMO, else connect it to backlight.

Note3: When L/R="0", set right to left scan direction.

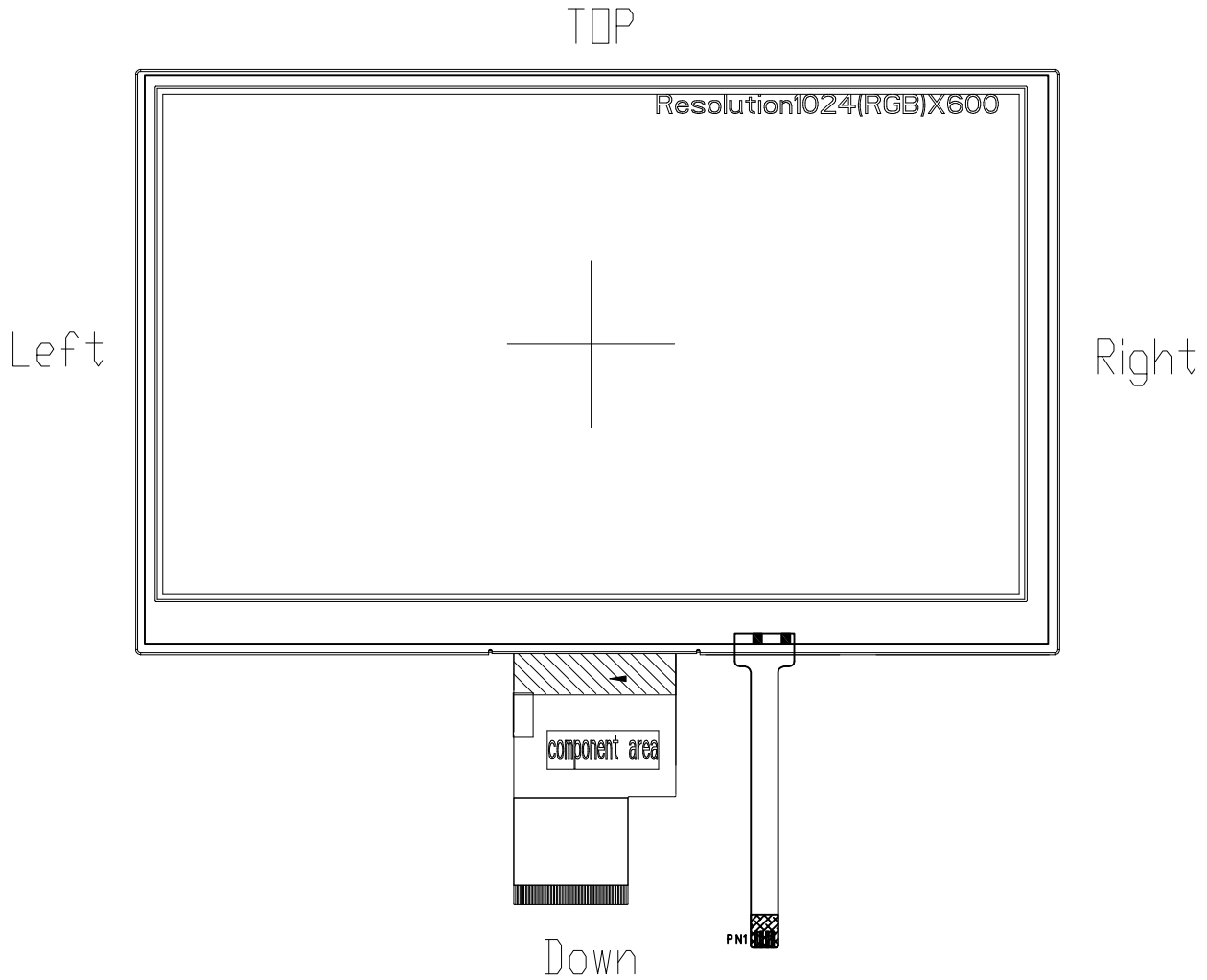
When L/R="1", set left to right scan direction.

When U/D="0", set top to bottom scan direction.

When U/D="1", set bottom to top scan direction.



Note: Definition of scanning direction.  
Refer to the figure as below:





### 3. Operation Specifications

#### 3.1. Absolute Maximum Ratings

(Note 1)

Item	Symbol	Values		Unit	Remark
		Min.	Max.		
Power voltage	$DV_{DD}$	-0.3	5.0	V	
	$AV_{DD}$	6.5	13.5	V	
	$V_{GH}$	-0.3	42.0	V	
	$V_{GL}$	-20.0	0.3	V	
	$V_{GH}-V_{GL}$	-	40.0	V	
Operation Temperature	$T_{OP}$	-20	60	°C	
Storage Temperature	$T_{ST}$	-30	70	°C	

Note 1: The absolute maximum rating values of this product are not allowed to be exceeded at any times. Should a module be used with any of the absolute maximum ratings exceeded, the characteristics of the module may not be recovered, or in an extreme case, the module may be permanently destroyed.





3.1.1. Typical Operation Conditions

( Note 1)

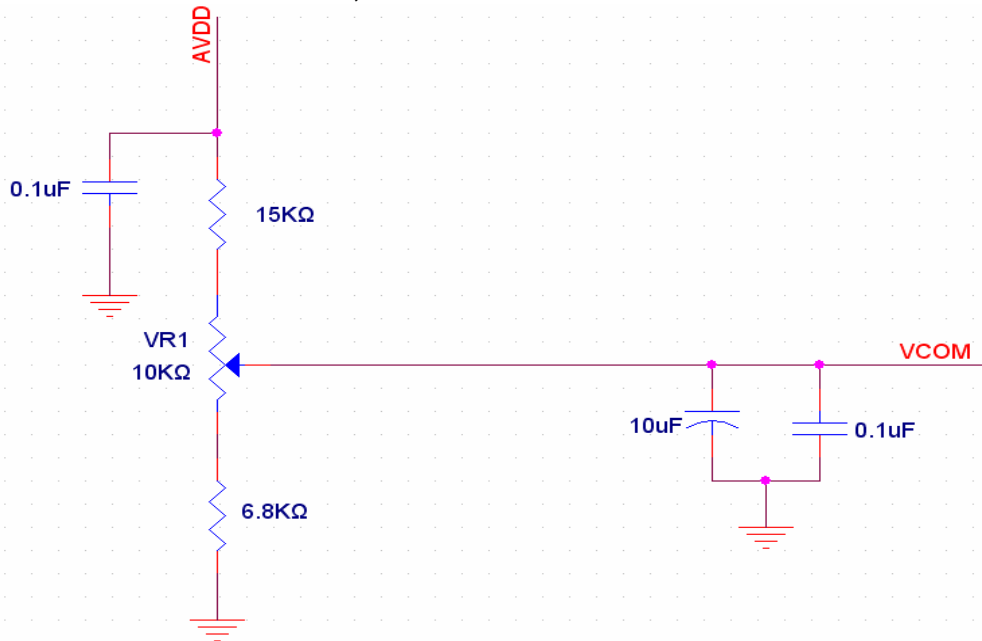
Item	Symbol	Values			Unit	Remark
		Min.	Typ.	Max.		
Power voltage	DV <sub>DD</sub>	3.0	3.3	3.6	V	Note 2
	AV <sub>DD</sub>	10.8	11	11.2	V	
	V <sub>GH</sub>	19.7	20	20.3	V	
	V <sub>GL</sub>	-6.5	-6.8	-7.1	V	
Input signal voltage	V <sub>COM</sub>	2.7	(3.7)	4.7	V	Note 4
Input logic high voltage	V <sub>IH</sub>	0.7 DV <sub>DD</sub>	-	DV <sub>DD</sub>	V	Note 3
Input logic low voltage	V <sub>IL</sub>	0	-	0.3 DV <sub>DD</sub>	V	

Note 1: Be sure to apply DV<sub>DD</sub> and V<sub>GL</sub> to the LCD first, and then apply V<sub>GH</sub>.

Note 2: DV<sub>DD</sub> setting should match the signals output voltage (refer to Note 3) of customer's system board.

Note 3: LVDS, Reset.

Note 4: Typ. V<sub>COM</sub> is only a reference value, it must be optimized according to each LCM. Be sure to use VR;





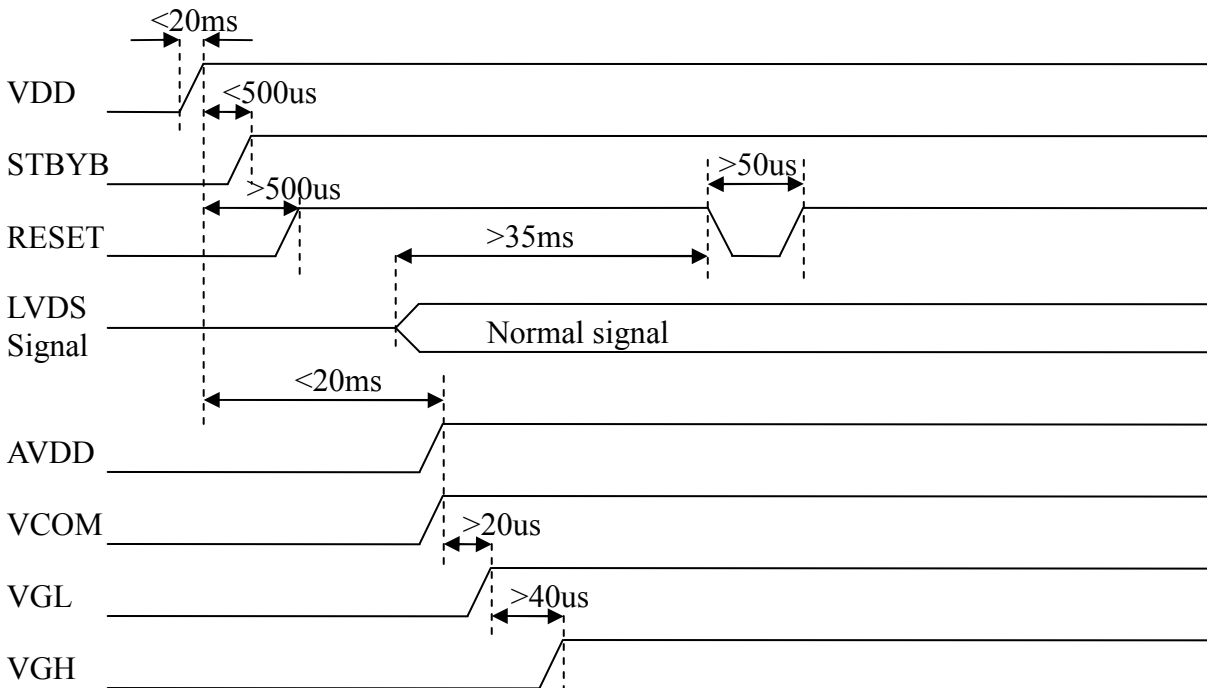
3.1.2. Current Consumption

Item	Symbol	Values			Unit	Remark
		Min.	Typ.	Max.		
Current for Driver	$I_{GH}$	-	0.25	1.0	mA	$V_{GH} = 20V$
	$I_{GL}$	-	0.25	1.0	mA	$V_{GL} = -6.8V$
	$IDV_{DD}$	-	38	60	mA	$DV_{DD} = 3.3V$
	$I_{AV_{DD}}$	-	20	30	mA	$AV_{DD} = 11V$

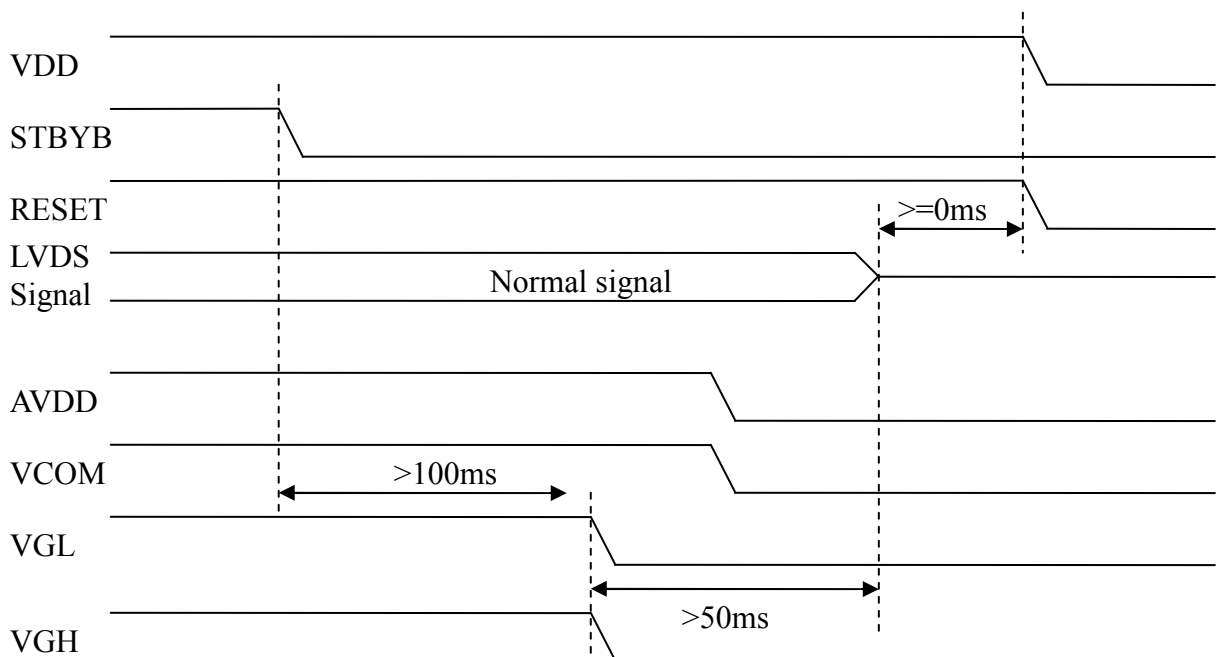


### 3.2. Power Sequence

#### a. Power on:



#### b. Power off:



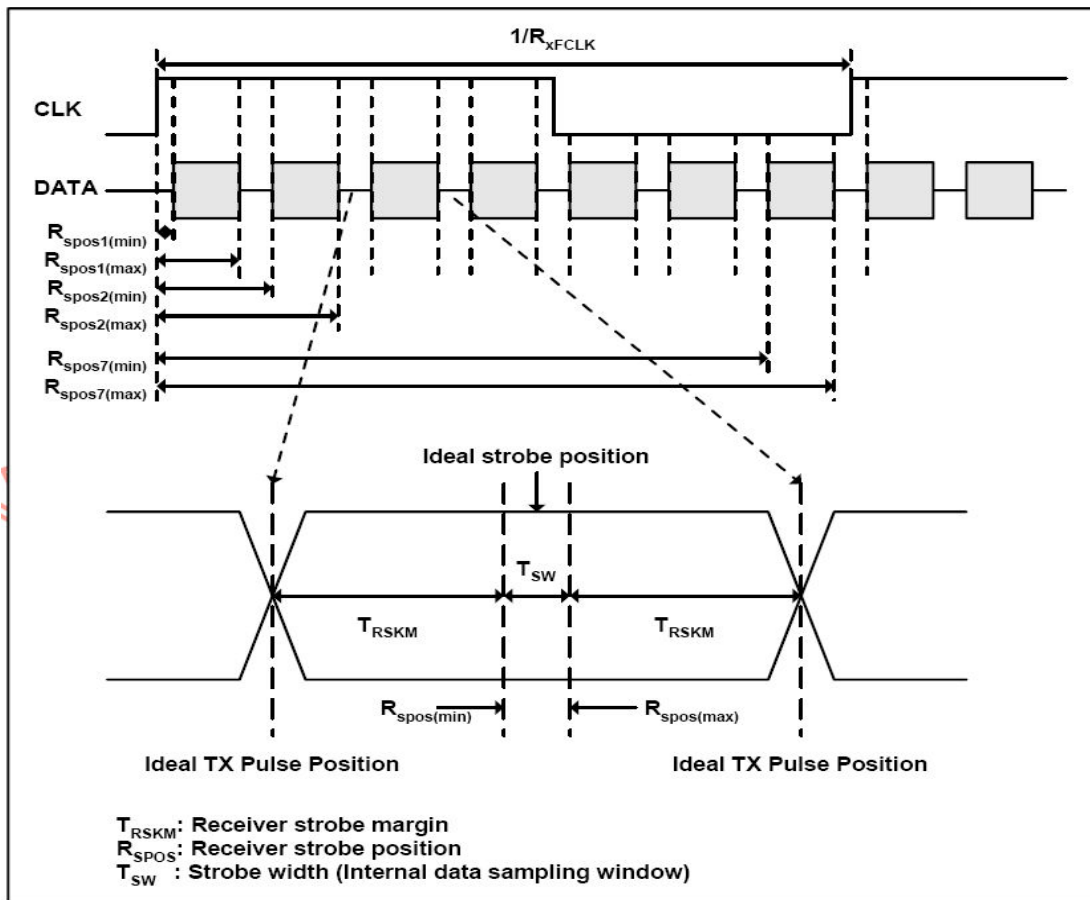
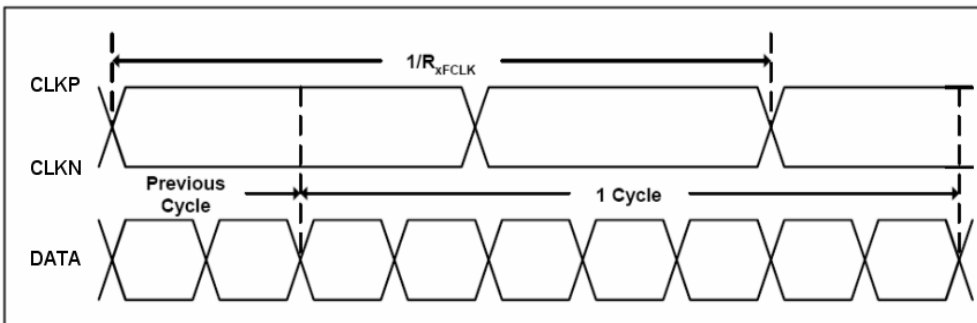


### 3.3. Timing Characteristics

#### 3.3.1. AC Electrical Characteristics

Parameter	Symbol	Values			Unit	Remark
		Min.	Typ.	Max.		
Clock frequency	$R_{XFCLK}$	40.8	51.2	67.2	MHz	
Input data skew margin	$T_{RSKM}$	500	-	-	ps	
Clock high time	$T_{LVCH}$	-	$4/(7 * R_{XFCLK})$	-	ns	
Clock low time	$T_{LVCL}$	-	$3/(7 * R_{XFCLK})$	-	ns	

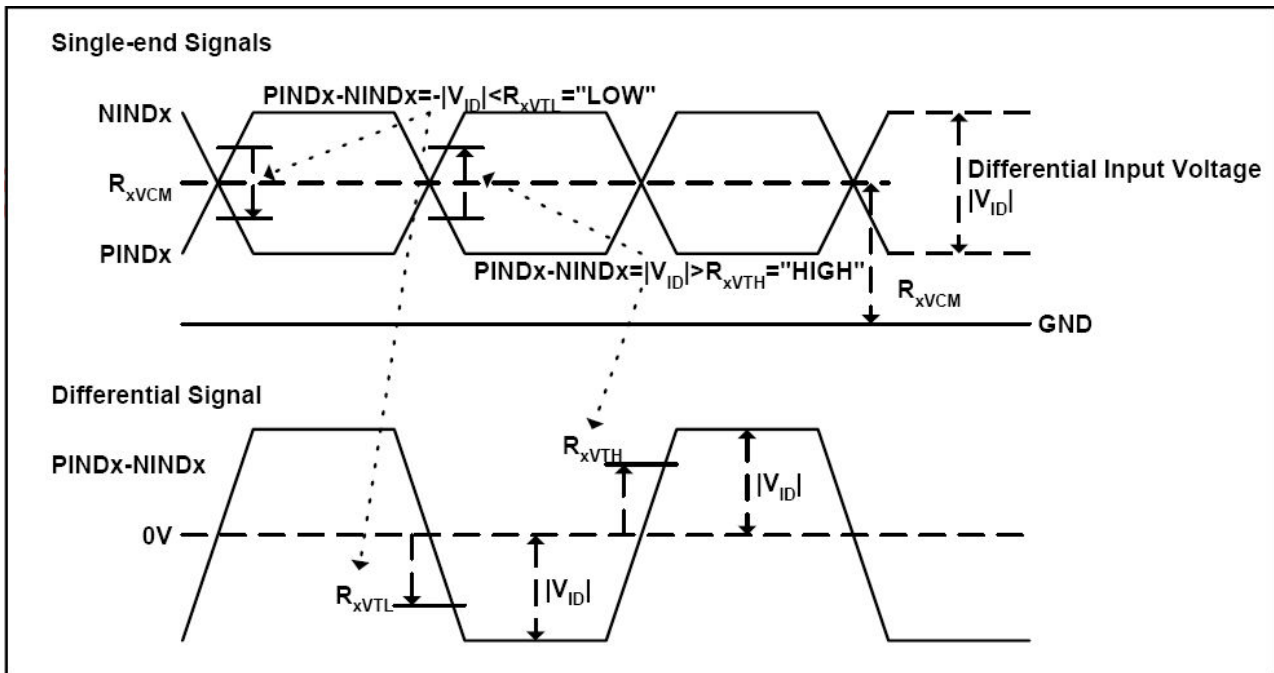
#### 3.3.2. Input Clock and Data Timing Diagram





3.3.3. DC Electrical Characteristics

Parameter	Symbol	Values			Unit	Remark
		Min.	Typ.	Max.		
Differential input high Threshold voltage	$R_{xVTH}$	-	-	+0.1	V	$R_{xVCM}=1.2V$
Differential input low Threshold voltage	$R_{xVTL}$	-0.1	-	-	V	
Input voltage range (singled-end)	$R_{xVIN}$	0	-	2.4	V	
Differential input common mode voltage	$R_{xVCM}$	$ V_{ID} /2$	-	$2.4- V_{ID} /2$	V	
Differential voltage	$ V_{ID} $	0.2	-	0.6	V	
Differential input leakage current	$R_{V_{xIIZ}}$	-10	-	+10	$\mu A$	





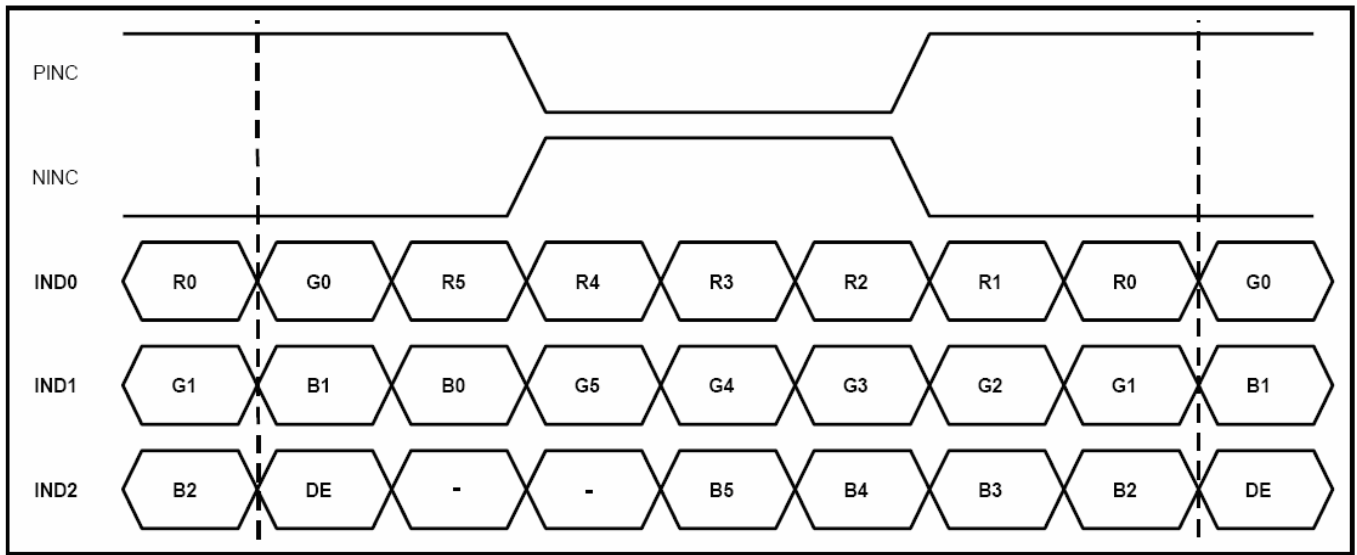
3.3.4. Timing

Item	Symbol	Values			Unit	Remark
		Min.	Typ.	Max.		
Clock Frequency	fclk	40.8	51.2	67.2	MHz	Frame rate =60Hz
Horizontal display area	thd	1024			DCLK	
HS period time	th	1114	1344	1400	DCLK	
HS Blanking	thb	90	320	376	DCLK	
Vertical display area	tvd	600			H	
VS period time	tv	610	635	800	H	
VS Blanking	thb	10	35	200	H	

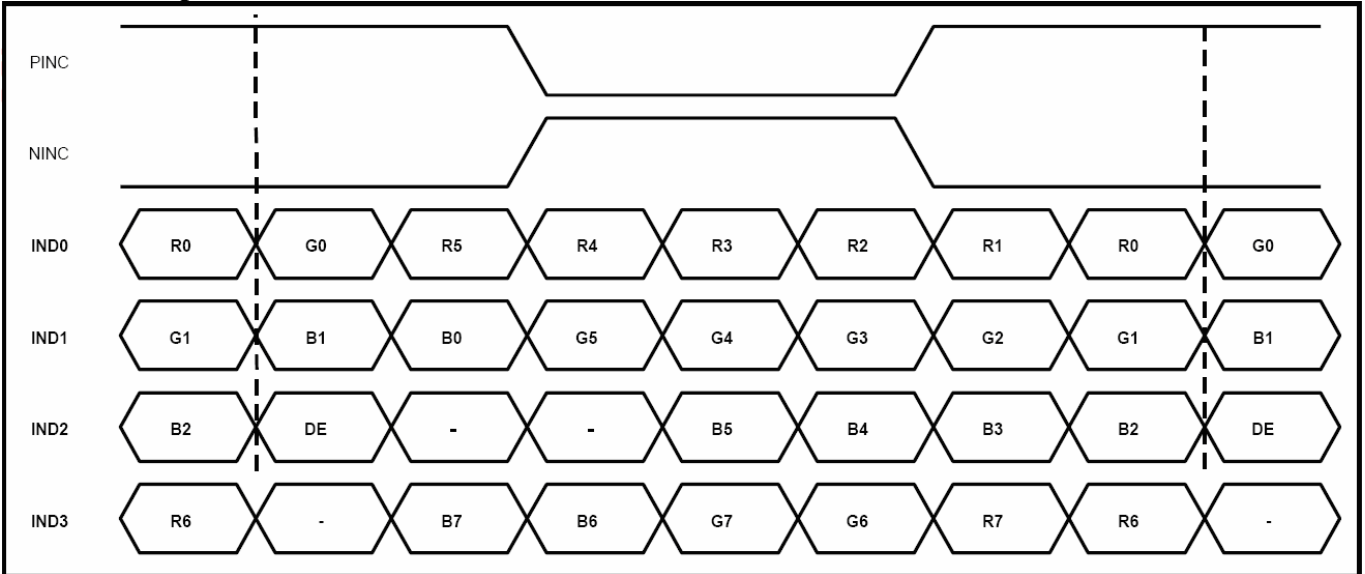


### 3.3.5. Data Input Format

#### 6bit LVDS input



#### 8bit LVDS input



Note: Support DE timing mode only, SYNC mode not supported.



## 4. Optical Specifications

Note: Base on CHIMEI-INNOLUX LCM

Item	Symbol	Condition	Values			Unit	Remark
			Min.	Typ.	Max.		
Viewing angle (CR≥ 10) B/L ON	$\theta_L$	$\Phi=180^\circ$ (9 o'clock)	65	75	-	degree	Note 1
	$\theta_R$	$\Phi=0^\circ$ (3 o'clock)	65	75	-		
	$\theta_T$	$\Phi=90^\circ$ (12 o'clock)	60	70	-		
	$\theta_B$	$\Phi=270^\circ$ (6 o'clock)	65	75	-		
Response time	$T_{ON}$	Normal $\theta=\Phi=0^\circ$	-	10	20	msec	Note2
	$T_{OFF}$		-	15	30	msec	Note 3
Contrast ratio	CR		500	700	-	-	Note 4 Note 6
Color chromaticity	$W_X$		0.249	0.299	0.349	-	Note 2 Note 5
	$W_Y$		0.273	0.323	0.373	-	
Transmittance	Tr		-	3.5%	-		

Test Conditions:

1.  $DV_{DD}=3.3V$ , the ambient temperature is  $25^\circ C$ .
2. The test systems refer to Note 2.





Note 1: Definition of viewing angle range

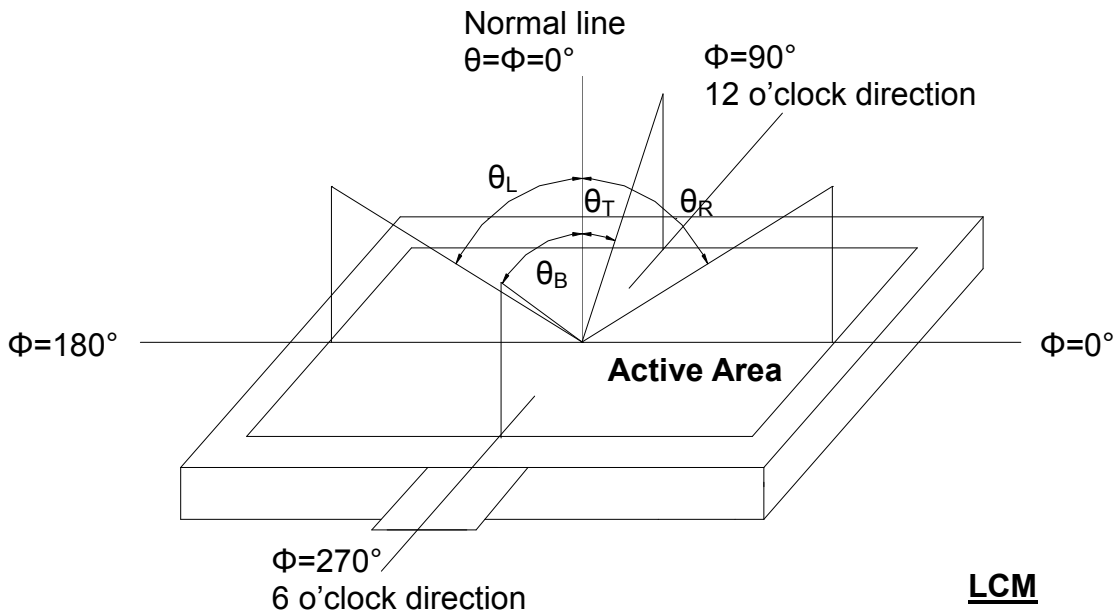


Fig. 4-1 Definition of viewing angle

Note 2: Definition of optical measurement system.

The optical characteristics should be measured in dark room. After 30 minutes operation, the optical properties are measured at the center point of the LCD screen. (Viewing angle is measured by ELDIM-EZ contrast/Height :1.2mm, Response time is measured by Photo detector TOPCON BM-7, other items are measured by BM-5A/ Field of view:  $1^\circ$  /Height: 500mm.)

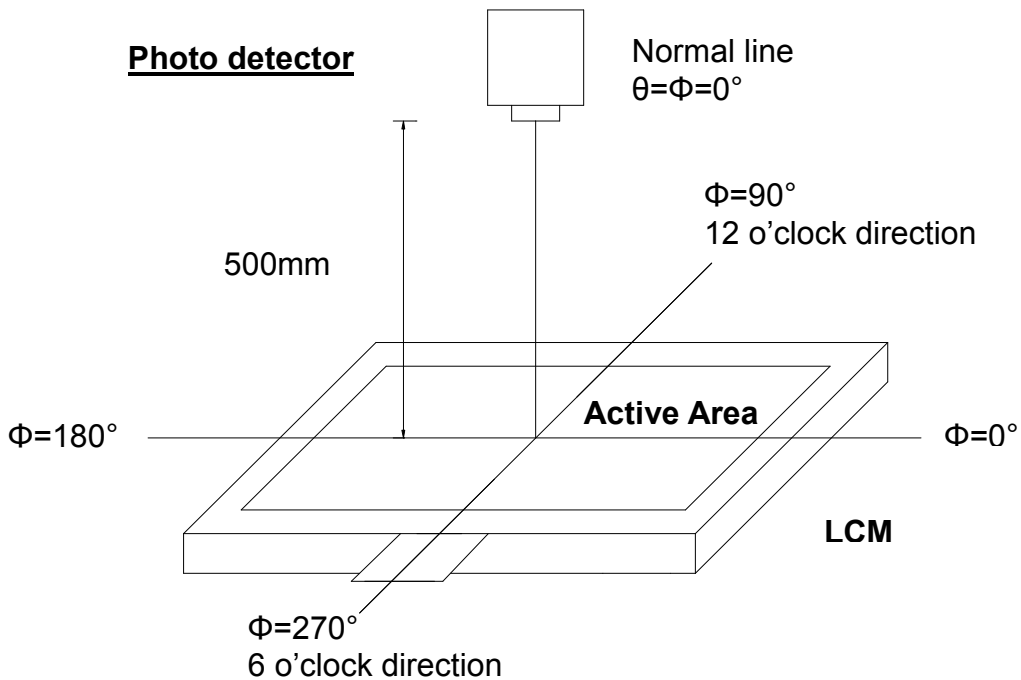


Fig. 4-2 Optical measurement system setup



Note 3: Definition of Response time

The response time is defined as the LCD optical switching time interval between "White" state and "Black" state. Rise time ( $T_{ON}$ ) is the time between photo detector output intensity changed from 90% to 10%. And fall time ( $T_{OFF}$ ) is the time between photo detector output intensity changed from 10% to 90%.

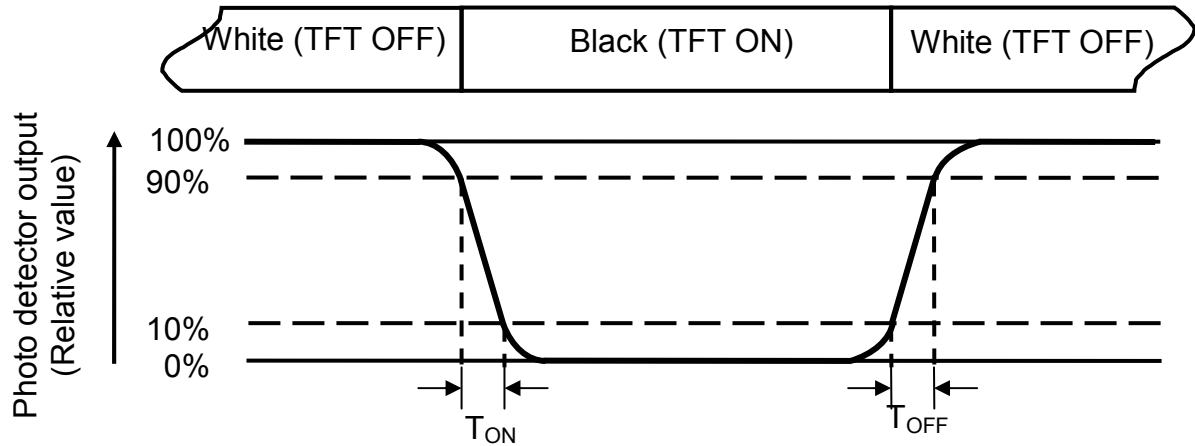


Fig. 4-3 Definition of response time

Note 4: Definition of contrast ratio

$$\text{Contrast ratio (CR)} = \frac{\text{Luminance measured when LCD on the "White" state}}{\text{Luminance measured when LCD on the "Black" state}}$$

Note 5: Definition of backlight

The backlight used C light.

Note 6: base on CMI standard backlight structure of LCM



## 5. Reliability Test Items

(Note3)

Item	Test Conditions	Remark
High Temperature Storage	Ta = 70°C                      240hrs	Note 1, Note 4
Low Temperature Storage	Ta = -30°C                      240hrs	Note 1, Note 4
High Temperature Operation	Ts = 60°C                      240hrs	Note 2, Note 4
Low Temperature Operation	Ta = -20°C                      240hrs	Note 1, Note 4
Operate at High Temperature and Humidity	+40°C, 90%RH                      240hrs	Note 4
Thermal Shock	-20°C/30 min ~ +60°C/30 min for a total 100 cycles, Start with cold temperature and end with high temperature.	Note 4

Note 1: Ta is the ambient temperature of samples.

Note 2: Ts is the temperature of panel's surface.

Note 3: In the standard condition, there shall be no practical problem that may affect the display function. After the reliability test, the product only guarantees operation, but don't guarantee all of the cosmetic specification.

Note 4: Before cosmetic and function test, the product must have enough recovery time, at least 2 hours at room temperature.



## 6. General Precautions

### 6.1. Safety

Liquid crystal is poisonous. Do not put it in your mouth. If liquid crystal touches your skin or clothes, wash it off immediately by using soap and water.

### 6.2. Handling

1. The LCD panel is plate glass. Do not subject the panel to mechanical shock or to excessive force on its surface.
2. The polarizer attached to the display is easily damaged. Please handle it carefully to avoid scratch or other damages.
3. To avoid contamination on the display surface, do not touch the module surface with bare hands.
4. Keep a space so that the LCD panels do not touch other components.
5. Put cover board such as acrylic board on the surface of LCD panel to protect panel from damages.
6. Transparent electrodes may be disconnected if you use the LCD panel under environmental conditions where the condensation of dew occurs.
7. Do not leave module in direct sunlight to avoid malfunction of the ICs.

### 6.3. Static Electricity

1. Be sure to ground module before turning on power or operating module.
2. Do not apply voltage which exceeds the absolute maximum rating value.

### 6.4. Storage

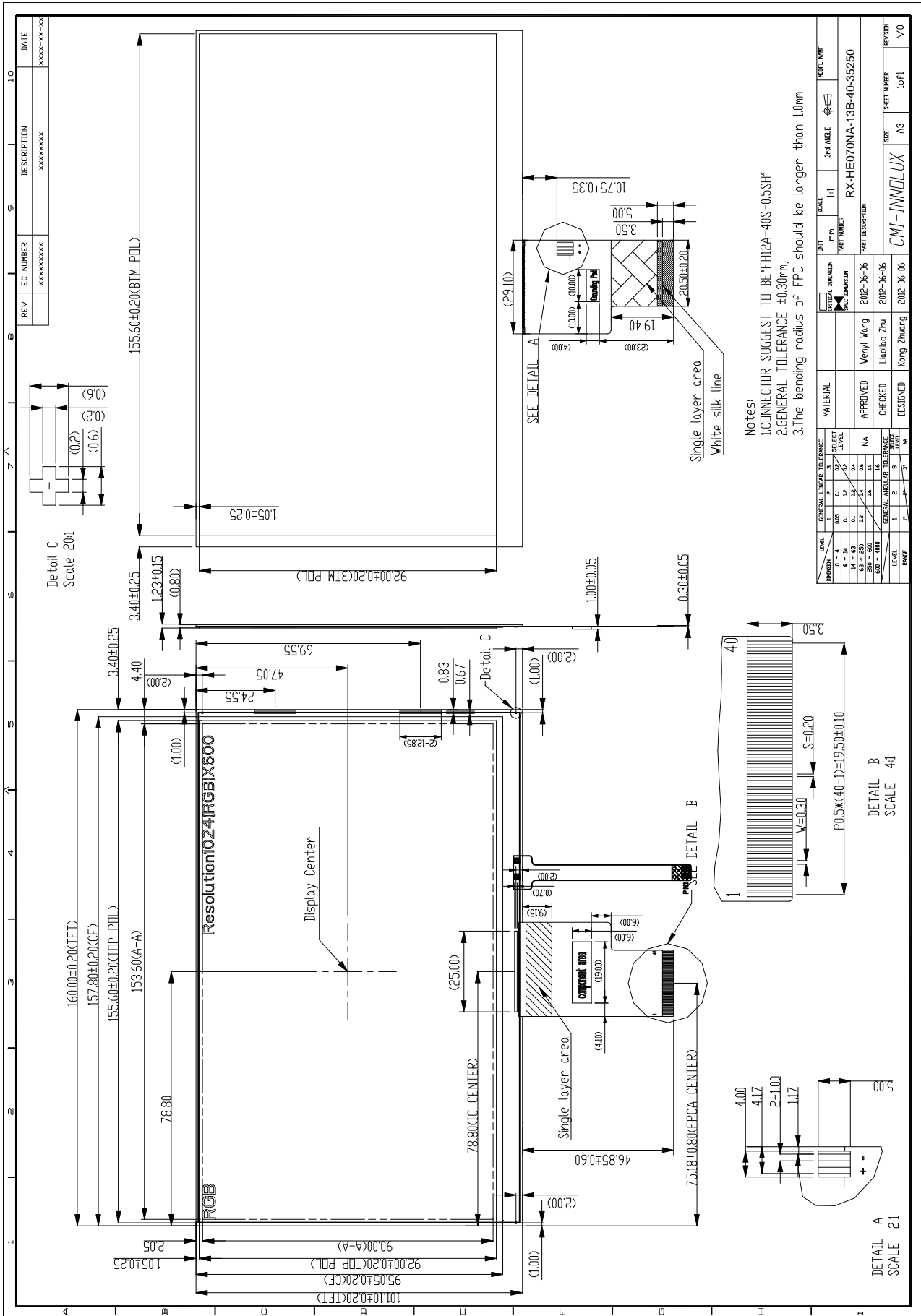
1. Store the module in a dark room where must keep at  $25\pm 10^{\circ}\text{C}$  and 65%RH or less.
2. Do not store the module in surroundings containing organic solvent or corrosive gas.
3. Store the module in an anti-electrostatic container or bag.

### 6.5. Cleaning

1. Do not wipe the polarizer with dry cloth. It might cause scratch.
2. Only use a soft sloth with IPA to wipe the polarizer, other chemicals might permanent damage to the polarizer.



# 7. Mechanical Drawing



- Notes:
- 1.CONNNECTOR SUGGEST TO BE FPH2A-40S-05SH'
  - 2.GENERAL TOLERANCE ±0.30mm;
  - 3.The bending radius of FPC should be larger than 1.0mm

LEVEL	GENERAL TOLERANCE	SELECT	LEVEL	APPROVED	CHECKED	DESIGNED	MATERIAL	SCALE	3rd ANGLE	PRINT SWP
0 - 4	0.05	0.1	0.2	Wenyi Wang	2012-06-06	2012-06-06		1:1		
5 - 14	0.1	0.2	0.5	Liuhao Zhu	2012-06-06	2012-06-06				
15 - 25	0.2	0.5	1.0	Kong Zhuang	2012-06-06	2012-06-06				
26 - 600	0.5	1.0	2.0							
601 - 650	1.0	2.0	5.0							
651 - 6500	2.0	5.0	10.0							

REV	EC NUMBER	DESCRIPTION	DATE
1	XXXXXXXXXX	XXXXXXXXXX	XXXX-XX-XX

REV	DATE	DESCRIPTION	BY	CHK	APP	SCALE	3rd ANGLE	PRINT SWP
1	2012-06-06	RX-HE070NA-13B-40-35250	Wenyi Wang	Liuhao Zhu	Kong Zhuang	1:1		

CMI-INNOVLUX	SIZE	SHEET NUMBER	TOTAL SHEETS
CMI-INNOVLUX	A3	1 of 1	V.0



## 8. Package Drawing

### 8.1. Packaging Material Table

No.	Item	Model (Material)	Dimensions(mm)	Unit Weight (kg)	Quantity	Remark
1	Panel Assembly	HE070NA-13B	160.00 × 147.95 × 1.23	TBD	80	
2	Dust-Proof Bag	PE	700 × 530	0.050	1	
3	Tray	PET	505 × 338 × 16.5	0.22	21	Anti-static
4	Partition	Corrugated paper	512 × 350 × 225	0.29	1	
5	Carton	Corrugated paper	530 × 355 × 255	0.81	1	
8	Total weight	TBD± 5%Kg				

### 8.2. Packaging Quantity

Total LCM quantity in Carton:

no. of Trays(deduct a empty tray) (21-1) × quantity per Tray 4 = 80 PCS



### 8.3. Packaging Drawing

